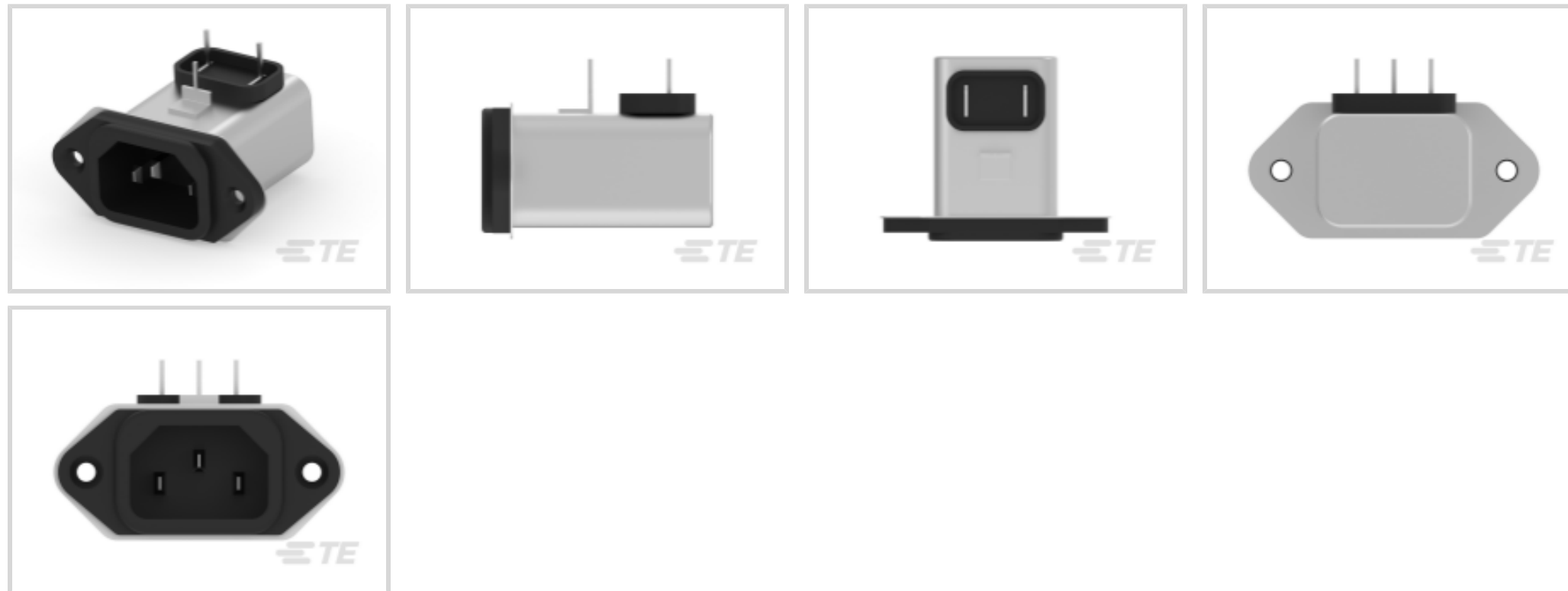




EMI & EMC Solutions > IEC Inlets > Power Entry Modules > IEC Filtered Inlets, Corcom EEJ Series



Filter Type: **Power Line**

Product Orientation: **Right Angle**

Leakage Current (Max) (120VAC, 60Hz): **220 μ A**

Leakage Current (Max) (250VAC, 50Hz): **380 μ A**

Current Rating: **6 A**

[All IEC Filtered Inlets, Corcom EEJ Series \(34\)](#)

Features

Product Type Features

Ground Choke Option	No
Filter Type	Power Line
Output Termination Type	PCB Mount
Filtering Requirements	Filtered
Filter Connector Type	IEC 320/C-14

Electrical Characteristics

Leakage Current (Max) (120VAC, 60Hz)	220 μ A
Leakage Current (Max) (250VAC, 50Hz)	380 μ A
Current Rating	6 A
Operating Voltage	250 VAC

Body Features

Product Orientation	Right Angle
---------------------	-------------

Mechanical Attachment



Product Mount Type	Board Mount
--------------------	-------------

Usage Conditions

Operating Temperature Range	-10 – 40 °C
-----------------------------	-------------

Product Compliance

[For compliance documentation, visit the product page on TE.com>](#)

EU RoHS Directive 2011/65/EU	Compliant
EU ELV Directive 2000/53/EC	Compliant
China RoHS 2 Directive MIIT Order No 32, 2016	No Restricted Materials Above Threshold
EU REACH Regulation (EC) No. 1907/2006	Current ECHA Candidate List: JAN 2025 (247) Candidate List Declared Against: JAN 2025 (247) Does not contain REACH SVHC
Halogen Content	Not Low Halogen - contains Br or Cl > 900 ppm.
Solder Process Capability	Not reviewed for solder process capability

Product Compliance Disclaimer

This information is provided based on reasonable inquiry of our suppliers and represents our current actual knowledge based on the information they provided. This information is subject to change. The part numbers that TE has identified as EU RoHS compliant have a maximum concentration of 0.1% by weight in homogenous materials for lead, hexavalent chromium, mercury, PBB, PBDE, DBP, BBP, DEHP, DIBP, and 0.01% for cadmium, or qualify for an exemption to these limits as defined in the Annexes of Directive 2011/65/EU (RoHS2). Finished electrical and electronic equipment products will be CE marked as required by Directive 2011/65/EU. Components may not be CE marked. Additionally, the part numbers that TE has identified as EU ELV compliant have a maximum concentration of 0.1% by weight in homogenous materials for lead, hexavalent chromium, and mercury, and 0.01% for cadmium, or qualify for an exemption to these limits as defined in the Annexes of Directive 2000/53/EC (ELV). Regarding the REACH Regulation, the information TE provides on SVHC in articles for this part number is based on the latest European Chemicals Agency (ECHA) 'Guidance on requirements for substances in articles' posted at this URL: <https://echa.europa.eu/guidance-documents/guidance-on-reach>

Also in the Series | Corcom EEJ



Power Entry Modules(34)

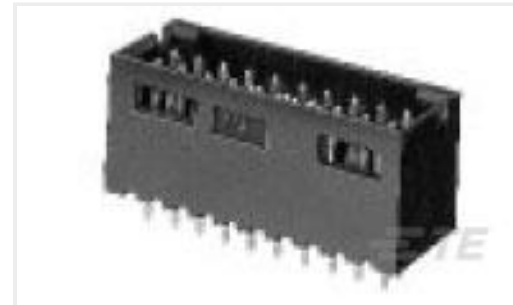
Customers Also Bought



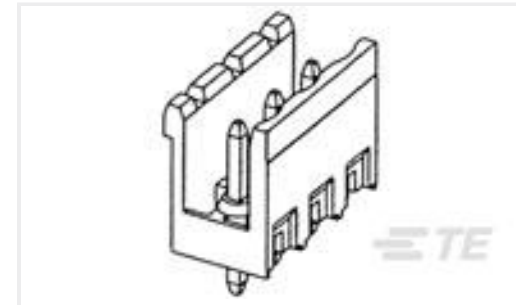
TE Part #819694-000
STD02W-1



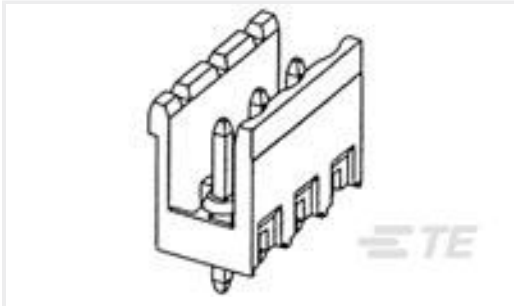
TE Part #51873-1
BODY R 22-16 COMM 22-18 MIL 6



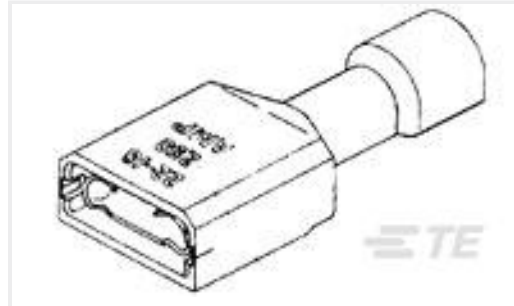
TE Part #5-87589-5
18 MODII HDR DRST SHRD .100CL



TE Part #282822-3
TERMI-BLOK HEADER,ASSY90 3P.



TE Part #1-282822-0
TERMI-BLOK HEADER,ASSY90 10P.



TE Part #2-520263-2
ULTRA-FAST 250 ASY REC 22-18 TPBR



TE Part #5-747905-5
9 Rcpt Solder Cup, 30 gold, Ro



TE Part #1825264-1
MSS420004=4PDT SL SW AG



TE Part #5745783-4
25 MSFL RCPT RA 318 (IN,FM)



TE Part #5747844-4
09 MSFL RCPT RA 318 (IN,FM,BL)

Documents

Product Drawings

[6EEJP=F8016 S0](#)

English

CAD Files

Customer View Model

[ENG_CVM_1-6609006-1_C.3d_igs.zip](#)

English

Customer View Model

[ENG_CVM_1-6609006-1_C.3d_stp.zip](#)

English

Customer View Model

[ENG_CVM_1-6609006-1_C.2d_dxf.zip](#)

English

3D PDF

English

Customer View Model

[ENG_CVM_CVM_1-6609006-1_E.3d_igs.zip](#)

English



Customer View Model

[ENG_CVM_CVM_1-6609006-1_E.3d_stp.zip](#)

English

Customer View Model

[ENG_CVM_CVM_1-6609006-1_E.2d_dxf.zip](#)

English

3D PDF

3D

By downloading the CAD file I accept and agree to the [Terms and Conditions](#) of use.

Datasheets & Catalog Pages

[1654001_CORCOM_PRODUCT_GUIDE_EEJ_SERIES](#)

English

Corcom Combined Selector Charts

English

[1-1654250-1_CORCOM_EMI_RFI_QRG](#)

English