

1-967630-1 ✓ ACTIVE

AMP | AMP MCP Connector System, AMP MCP 2.8

TE Internal #: 1-967630-1

21 Position Housing, Housing for Male Terminals, Wire-to-Wire, 5 mm [.197 in] Centerline, Brown, Wire & Cable, Power, Hybrid

[View on TE.com >](#)



Automotive Parts > Automotive Connectors > Automotive Housings > AMP Unsealed Connector Housing



Connector & Housing Type: **Housing for Male Terminals**

Number of Positions: **21**

Sealable: **No**

Operating Temperature Range: **-40 – 120 °C [ -40 – 248 °F ]**

Number of Rows: **3**

[All AMP Unsealed Connector Housing \(109\)](#)

## Features

### Product Type Features

Mixed & Hybrid Connector	No
Connector Shape	Rectangular
Connector & Housing Type	Housing for Male Terminals
Sealable	No
Primary Locking Feature	Integrated in Housing
Connector System	Wire-to-Wire
Connector & Contact Terminates To	Wire & Cable

### Configuration Features

Number of Positions	21
Number of Rows	3

### Electrical Characteristics

Operating Voltage	28 VDC
Nominal Voltage Architecture	12 V, 24 V



### Body Features

Cable Exit Angle	180°
Primary Product Color	Brown
Connector & Keying Code	A

### Contact Features

Contact Size	2.8mm
Contact Type	Tab
Mating Tab Width	2.8 mm[.11 in]

### Mechanical Attachment

Strain Relief	Without
Terminal Position Assurance	No
Mating Alignment Type	Keyed
Mating Alignment	With
Connector Mounting Type	Cable Mount (Free-Hanging)

### Housing Features

Housing Material	PA GF
Centerline (Pitch)	5 mm[.197 in]

### Dimensions

Product Width	35.45 mm[1.396 in]
Product Length	42.5 mm[1.673 in]
Connector Height	30.6 mm[1.205 in]

### Usage Conditions

Operating Temperature Range	-40 – 120 °C[-40 – 248 °F]
Operating Temperature (Max)	120 °C[248 °F]

### Operation/Application

Circuit Application	Power
---------------------	-------

### Packaging Features

Packaging Method	Bag
Packaging Quantity	600

### Other

Serviceable	No
Connector Position Assurance Capable	No



## Product Compliance

[For compliance documentation, visit the product page on TE.com>](#)

EU RoHS Directive 2011/65/EU	Compliant
EU ELV Directive 2000/53/EC	Compliant
China RoHS 2 Directive MIIT Order No 32, 2016	No Restricted Materials Above Threshold
EU REACH Regulation (EC) No. 1907/2006	Current ECHA Candidate List: JAN 2025 (247) Candidate List Declared Against: JUNE 2024 (241) Does not contain REACH SVHC
Halogen Content	Low Halogen - Br, Cl, F, I < 900 ppm per homogenous material. Also BFR/CFR/PVC Free
Solder Process Capability	Not applicable for solder process capability

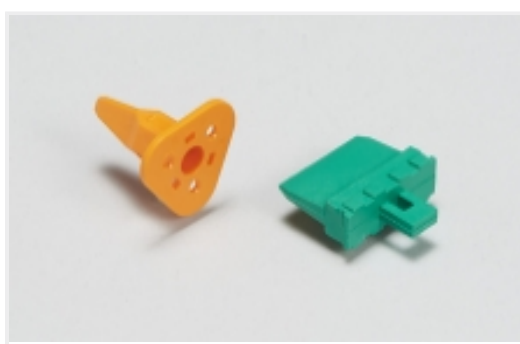
### Product Compliance Disclaimer

This information is provided based on reasonable inquiry of our suppliers and represents our current actual knowledge based on the information they provided. This information is subject to change. The part numbers that TE has identified as EU RoHS compliant have a maximum concentration of 0.1% by weight in homogenous materials for lead, hexavalent chromium, mercury, PBB, PBDE, DBP, BBP, DEHP, DIBP, and 0.01% for cadmium, or qualify for an exemption to these limits as defined in the Annexes of Directive 2011/65/EU (RoHS2). Finished electrical and electronic equipment products will be CE marked as required by Directive 2011/65/EU. Components may not be CE marked. Additionally, the part numbers that TE has identified as EU ELV compliant have a maximum concentration of 0.1% by weight in homogenous materials for lead, hexavalent chromium, and mercury, and 0.01% for cadmium, or qualify for an exemption to these limits as defined in the Annexes of Directive 2000/53/EC (ELV). Regarding the REACH Regulation, the information TE provides on SVHC in articles for this part number is based on the latest European Chemicals Agency (ECHA) 'Guidance on requirements for substances in articles' posted at this URL: <https://echa.europa.eu/guidance-documents/guidance-on-reach>

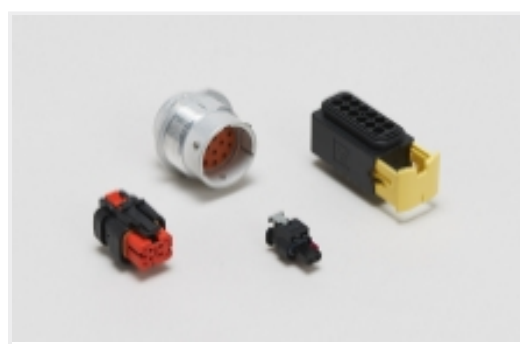
## Compatible Parts



Also in the Series | [AMP MCP 2.8](#)



Automotive Connector Locks & Position Assurance(4)



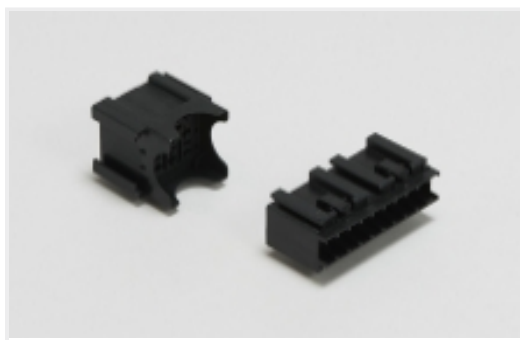
Automotive Housings(257)



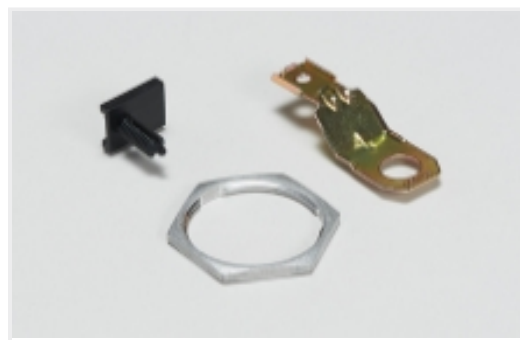
Automotive Seals & Cavity Plugs(6)



Connector Seals & Cavity Plugs(6)



Module Components(1)

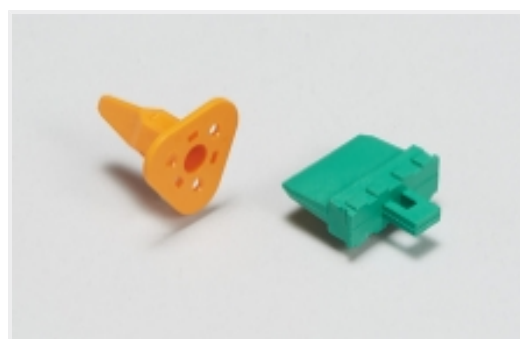


Other Automotive Connector Accessories(3)

## Also in the Series | AMP MCP Connector System



Automotive Connector Caps & Covers (25)



Automotive Connector Locks & Position Assurance(4)



Automotive Housings(257)



Automotive Seals & Cavity Plugs(6)



Automotive Terminals(7)



Other Automotive Connector Accessories(3)

## Customers Also Bought



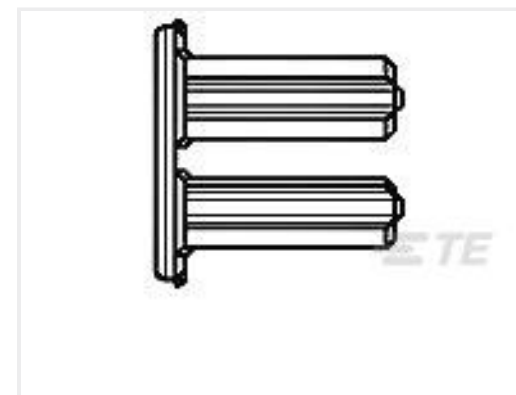
TE Part #1-962842-1  
TAB 2.8x0.8 CONTACT CS SRC Sn



TE Part #CAT-T4827-CH8172  
Timer Connector Housing



TE Part #CAT-AM705-CH8173  
AMP Unsealed Connector Housing



TE Part #967635-1  
2.0 KONT



TE Part #8-968975-1  
MCP2.8 GEH 21P

## Documents

### Product Drawings

#### FLA STEGEHZ

English

### CAD Files

#### Customer View Model

[ENG\\_CVM\\_CVM\\_1-967630-1\\_E.2d\\_dxf.zip](#)

English

#### 3D PDF

3D

#### Customer View Model

[ENG\\_CVM\\_CVM\\_1-967630-1\\_E.3d\\_igs.zip](#)

English

#### Customer View Model

[ENG\\_CVM\\_CVM\\_1-967630-1\\_E.3d\\_stp.zip](#)

English

By downloading the CAD file I accept and agree to the [Terms and Conditions](#) of use.

### Product Specifications

#### Application Specification

English