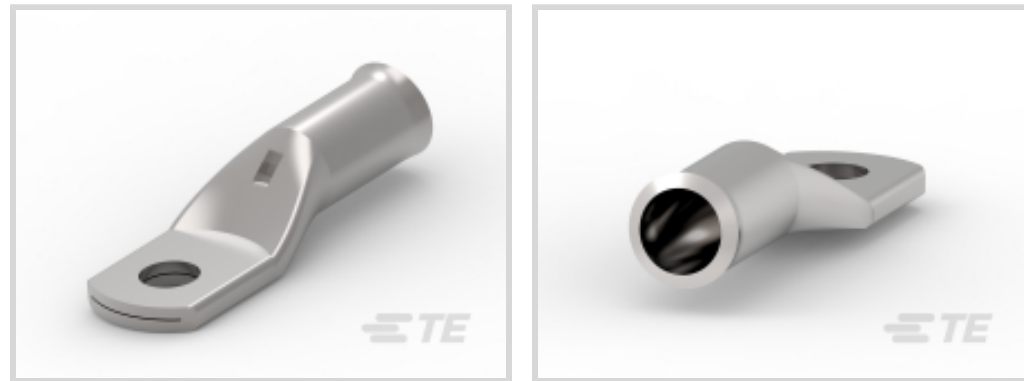




Energy &amp; Power &gt; Power Systems Connectors &gt; Compression Connectors

Product Availability: **Europe, Middle East & Africa**Installation Technology: **Crimp**Voltage Class: **≤ 1 kV**Compatible Conductor Material: **Copper**Crimp Type: **Hexagonal or Indent Crimping**

## Features

### Product Type Features

Installation Technology	Crimp
-------------------------	-------

### Configuration Features

Number of Holes	1
-----------------	---

### Electrical Characteristics

Voltage Class	≤ 1 kV
---------------	--------

### Body Features

Compression Barrel Type	Standard
Compatible Conductor Material	Copper
Primary Product Material	Copper
Palm Terminal Material	Copper

### Contact Features

Crimp Type	Hexagonal or Indent Crimping
------------	------------------------------

### Dimensions

Barrel Inside Diameter	7.9 mm[.311 in]
Barrel Outside Diameter	11 mm[.433 in]
Palm Hole Diameter	10.3
Compatible Conductor Range	2 – 2 AWG/kcmil



Compatible Conductor Cross-Section Range	35 mm <sup>2</sup>
--	--------------------

### Operation/Application

Power Component Application Type	Indoor, Outdoor
----------------------------------	-----------------

Compression Connector Product Type	Terminal Lug
------------------------------------	--------------

### Industry Standards

Compatible With Approved Standards Products	Designed to Meet NFC 20-130 Requirements
---	--

### Product Availability

Product Availability	Europe, Middle East & Africa
----------------------	------------------------------

## Product Compliance

[For compliance documentation, visit the product page on TE.com>](#)

EU RoHS Directive 2011/65/EU	Compliant
------------------------------	-----------

EU ELV Directive 2000/53/EC	Out of Scope
-----------------------------	--------------

China RoHS 2 Directive MIIT Order No 32, 2016	No Restricted Materials Above Threshold
---	---

EU REACH Regulation (EC) No. 1907/2006	Current ECHA Candidate List: JAN 2025 (247) Candidate List Declared Against: JAN 2025 (247) Does not contain REACH SVHC
--	---

Halogen Content	Low Halogen - Br, Cl, F, I < 900 ppm per homogenous material. Also BFR/CFR/PVC Free
-----------------	---

Solder Process Capability	Not applicable for solder process capability
---------------------------	--

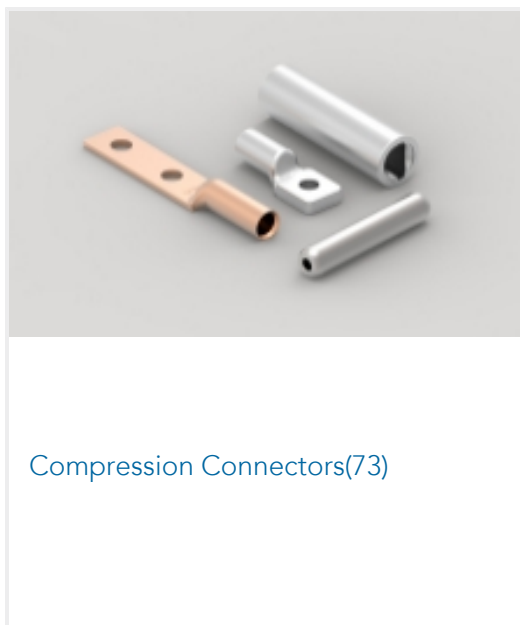
#### Product Compliance Disclaimer

This information is provided based on reasonable inquiry of our suppliers and represents our current actual knowledge based on the information they provided. This information is subject to change. The part numbers that TE has identified as EU RoHS compliant have a maximum concentration of 0.1% by weight in homogenous materials for lead, hexavalent chromium, mercury, PBB, PBDE, DBP, BBP, DEHP, DIBP, and 0.01% for cadmium, or qualify for an exemption to these limits as defined in the Annexes of Directive 2011/65/EU (RoHS2). Finished electrical and electronic equipment products will be CE marked as required by Directive 2011/65/EU. Components may not be CE marked. Additionally, the part numbers that TE has identified as EU ELV compliant have a maximum concentration of 0.1% by weight in homogenous materials for lead, hexavalent chromium, and mercury, and 0.01% for cadmium, or qualify for an exemption to these limits as defined in the Annexes of Directive 2000/53/EC (ELV). Regarding the REACH Regulation, the information TE provides on SVHC in articles for this part number is based on the latest European Chemicals Agency (ECHA) 'Guidance on requirements for substances in articles' posted at this URL: <https://echa.europa.eu/guidance-documents/guidance-on-reach>

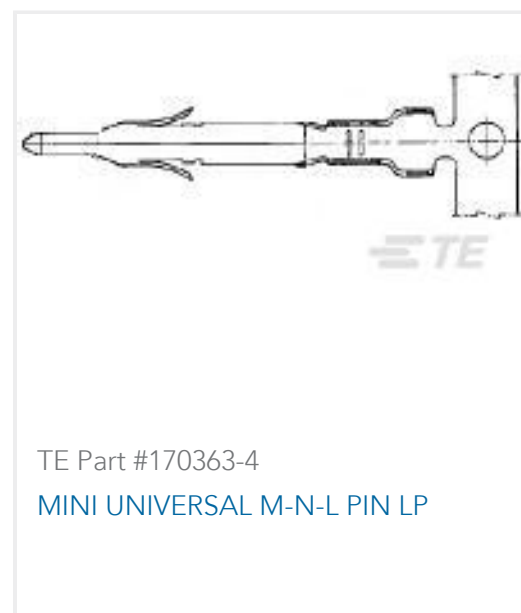
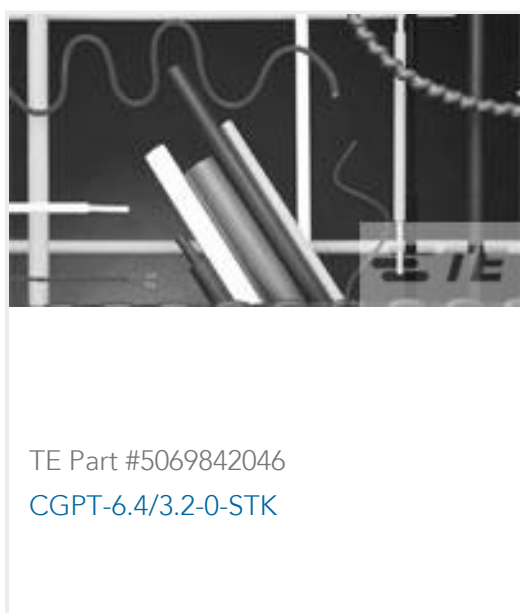
## Compatible Parts



Also in the Series | **SIMEL XCT**



Customers Also Bought





## Documents

### Product Drawings

[XCT 35-10](#)

English

### CAD Files

[3D PDF](#)

3D

Customer View Model

[ENG\\_CVM\\_CVM\\_710036-3\\_C.2d\\_dxf.zip](#)

English

Customer View Model

[ENG\\_CVM\\_CVM\\_710036-3\\_C.3d\\_igs.zip](#)

English

Customer View Model

[ENG\\_CVM\\_CVM\\_710036-3\\_C.3d\\_stp.zip](#)

English

By downloading the CAD file I accept and agree to the [Terms and Conditions](#) of use.

### Datasheets & Catalog Pages

[XCT-COPPER-TUBULAR-TERMINALS-FITTINGS](#)

English